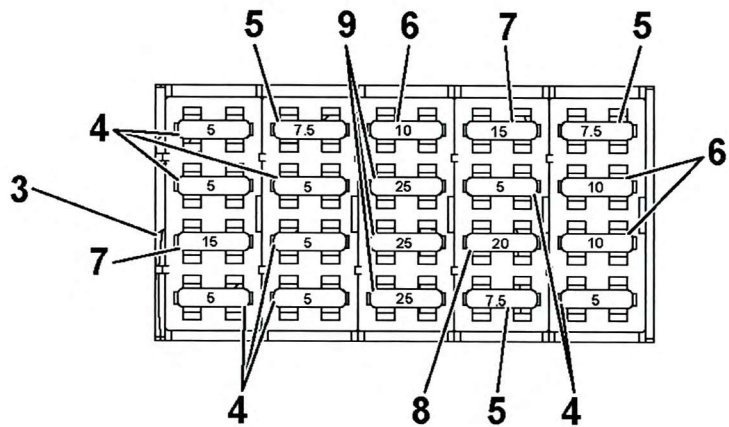
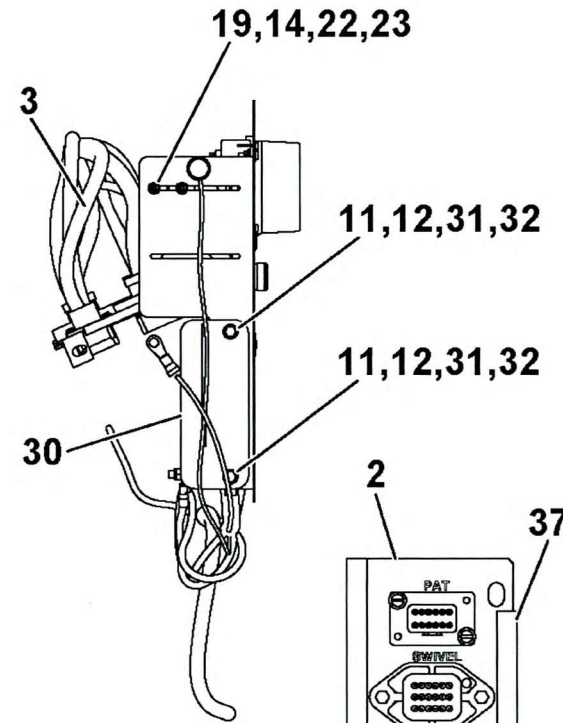
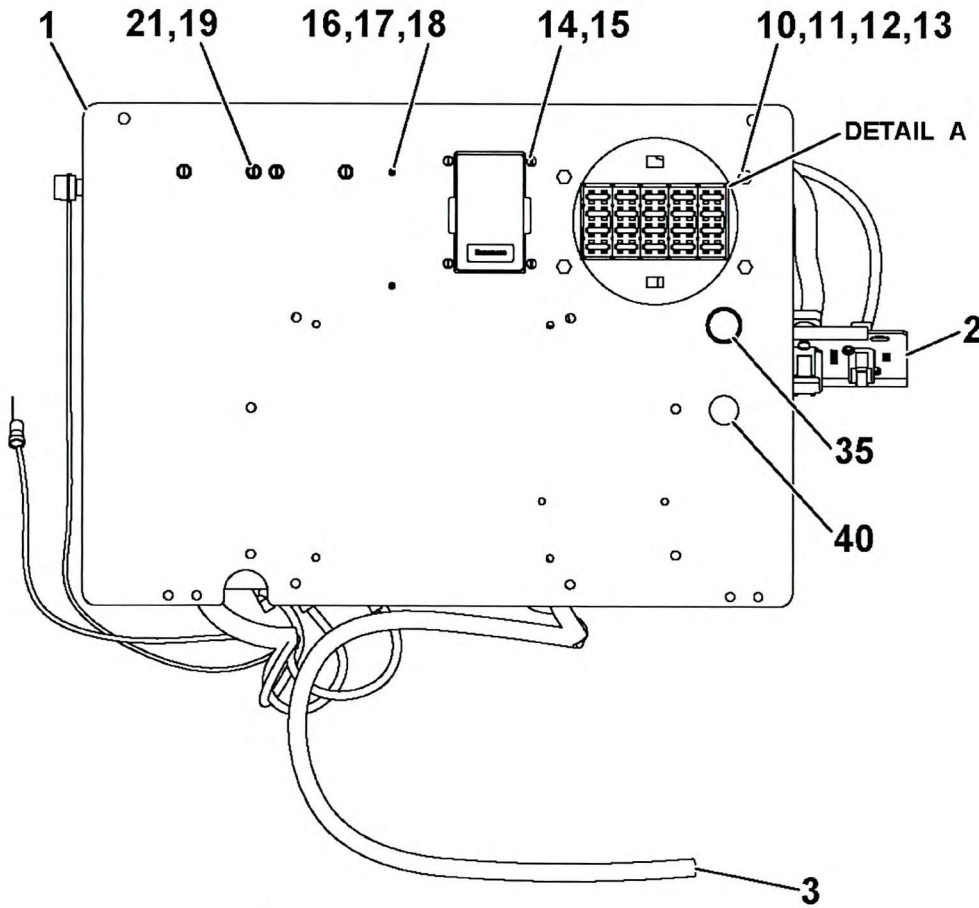
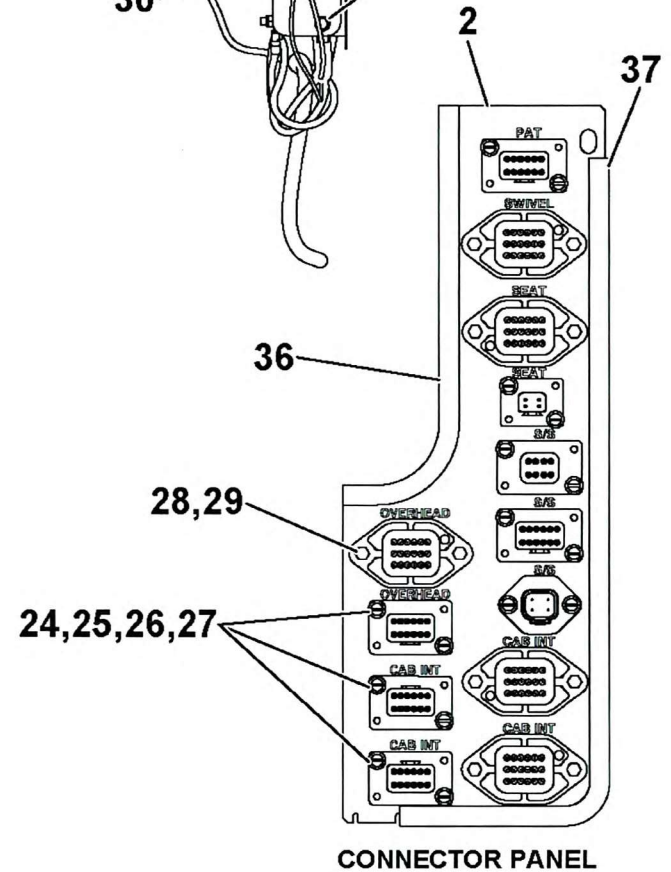


(SHEET 2 OF 2)



DETAIL A



CONNECTOR PANEL

ITEM NOT SHOWN NBR 20